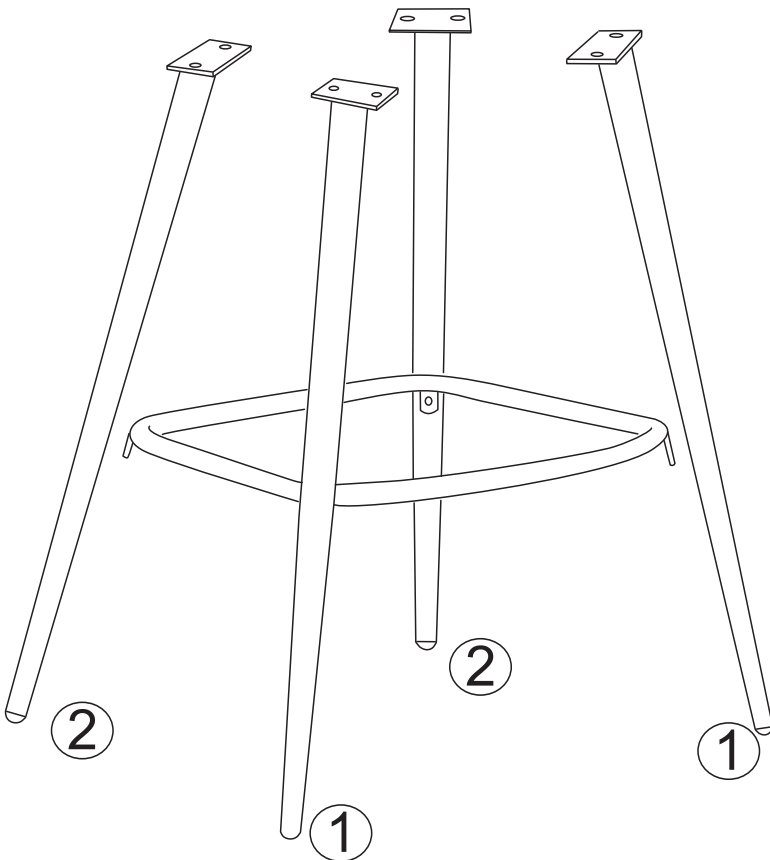
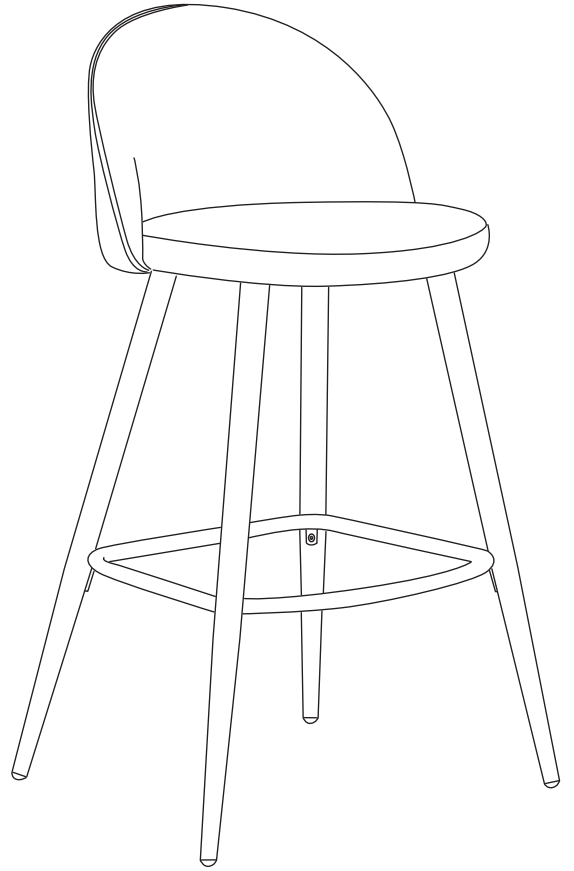
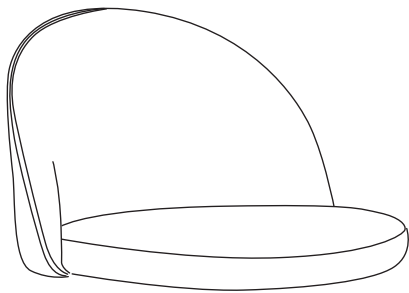
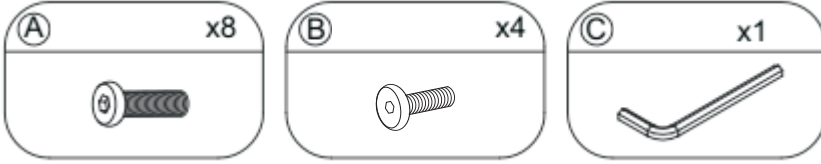


# ASSEMBLY INSTRUCTION

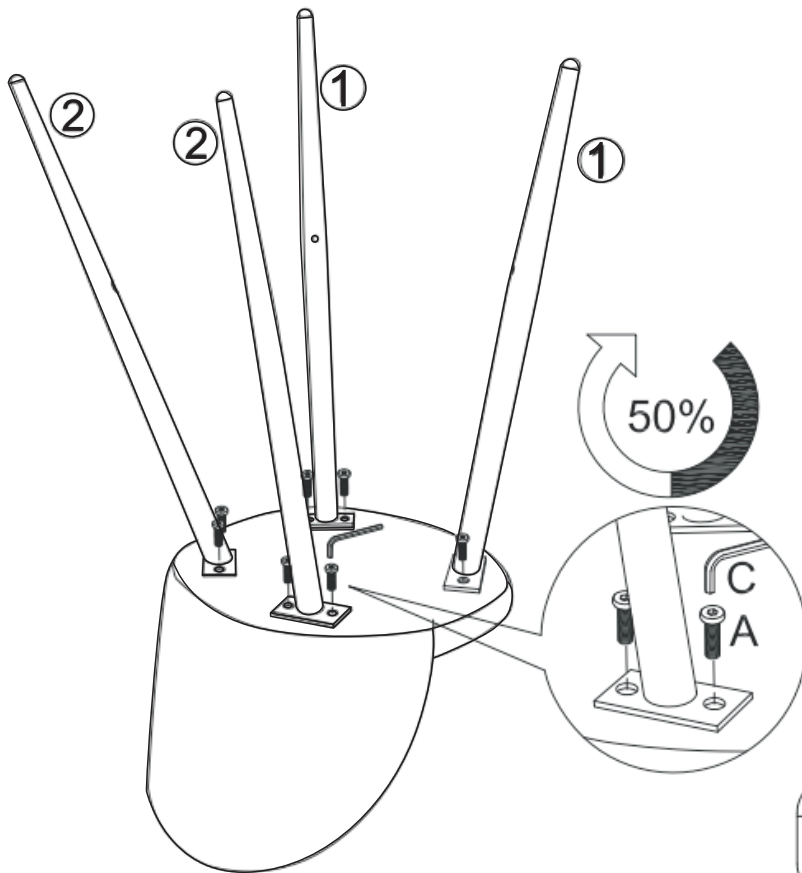
BC-99004A



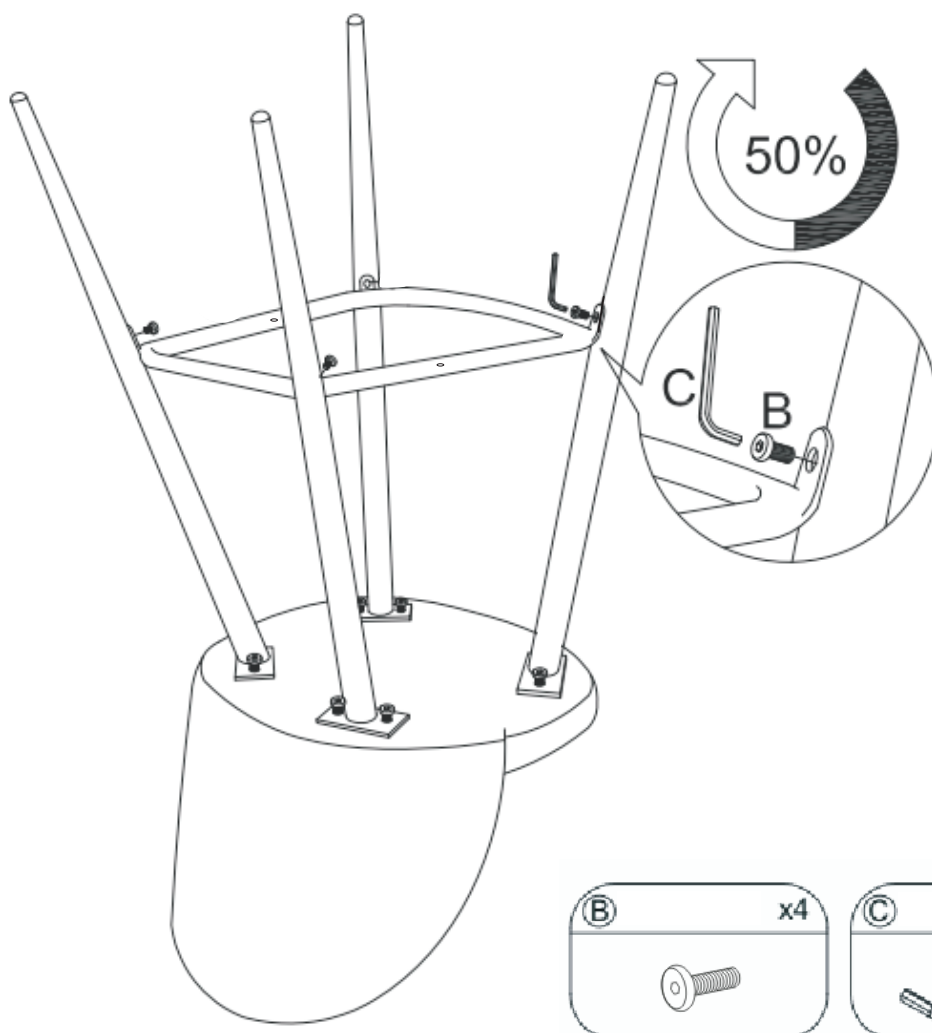
# ASSEMBLY INSTRUCTION

BC-99004A

1 →



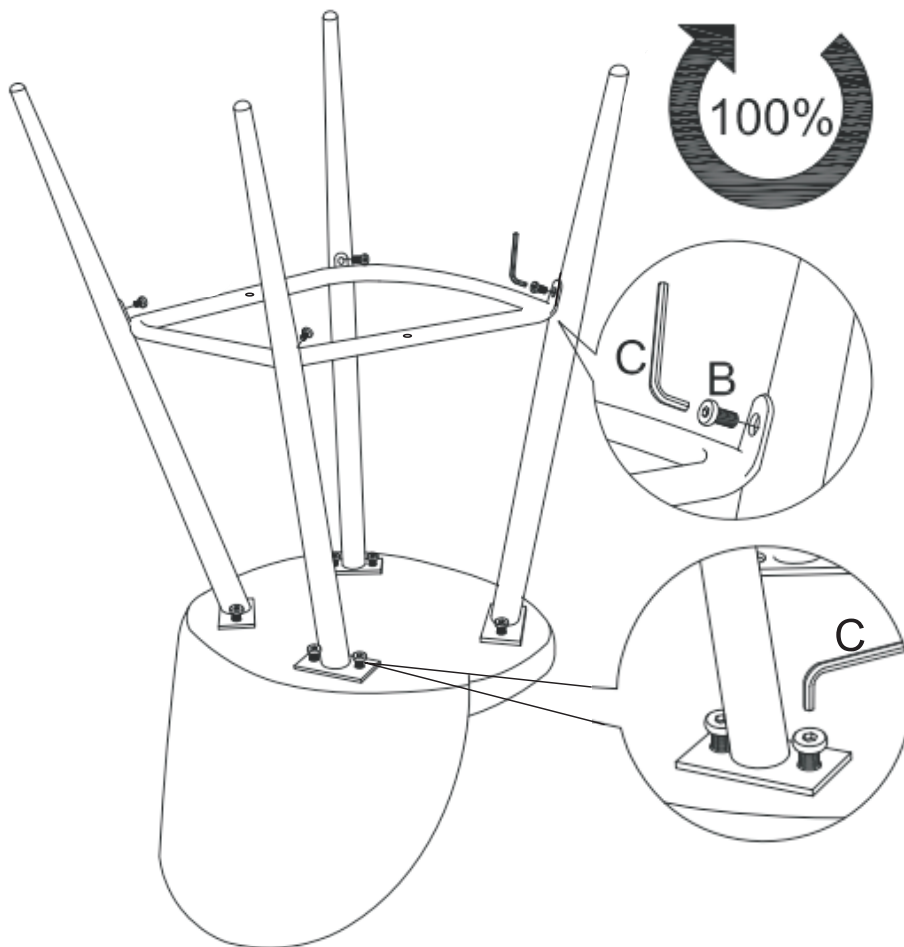
2 →



# ASSEMBLY INSTRUCTION

BC-99004A

3 →



4 →

