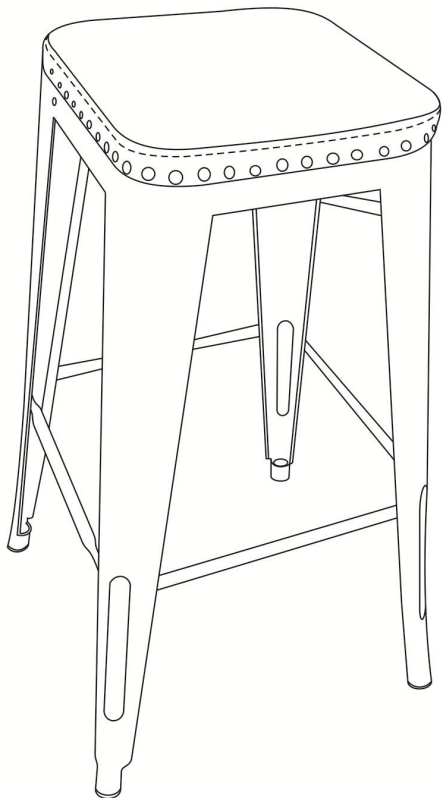
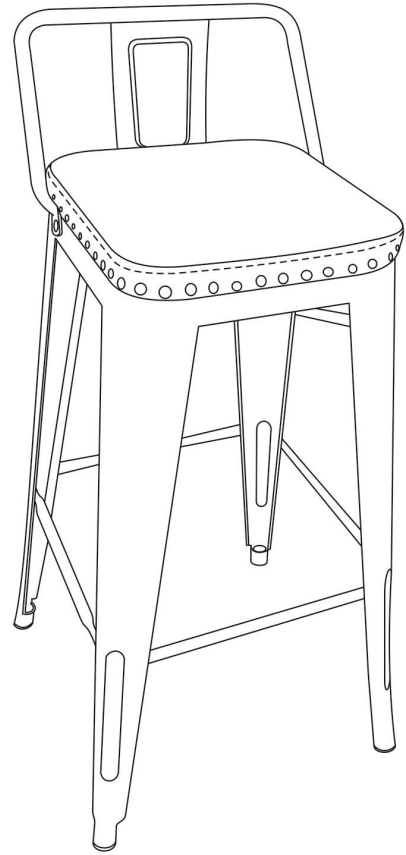
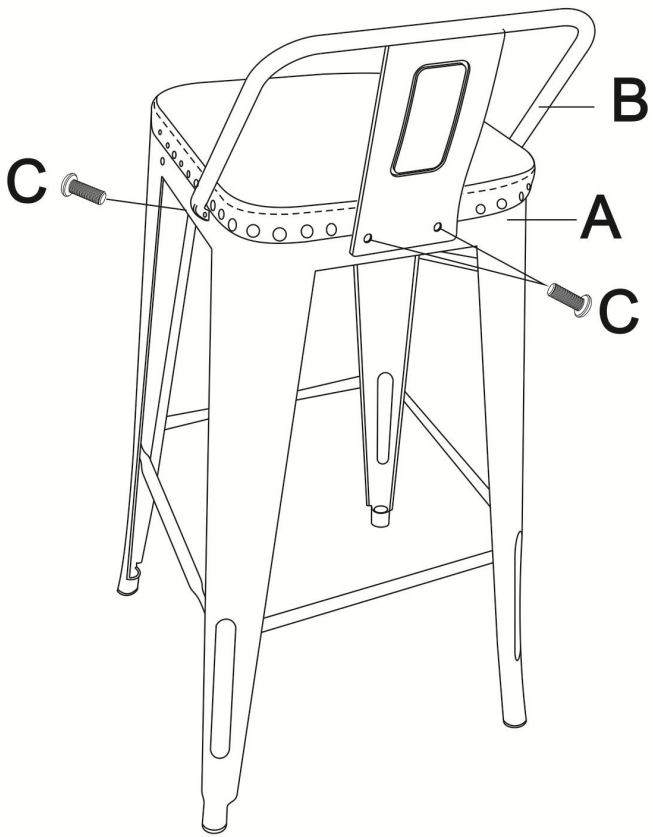
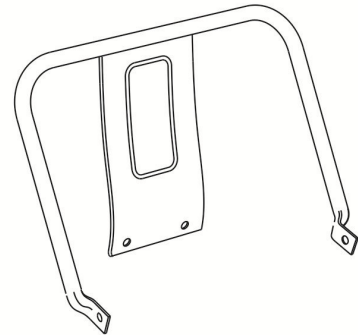


ASSEMBLY INSTRUCTIONS



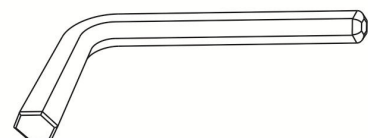
Ax1



Bx1



Cx4



Dx1