




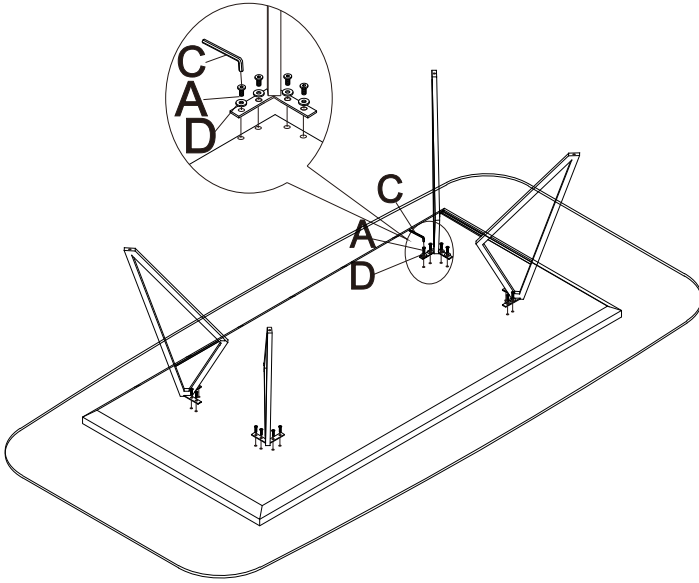


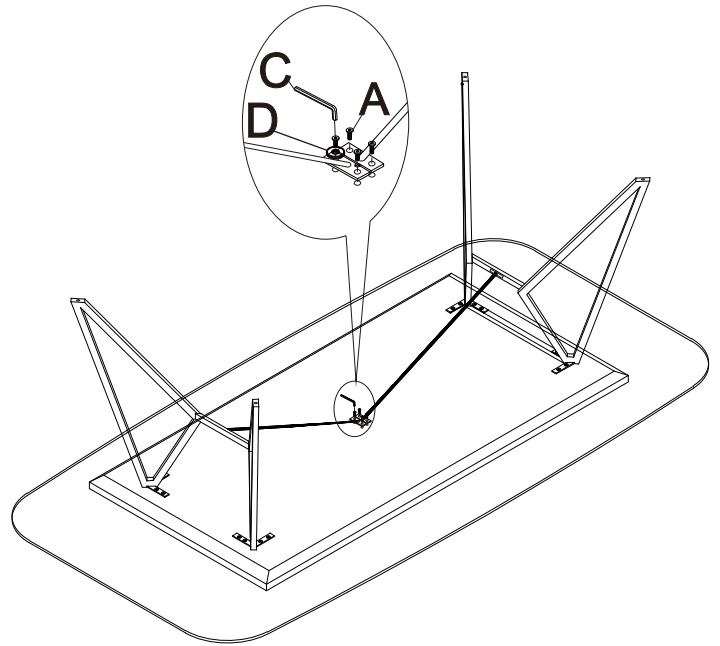
# ASSEMBLY INSTRUCTION DT-904G-1

<b>A</b>  20pcs	<b>B</b>  8pcs	<b>C</b>  1pcs	<b>D</b>  20pcs	<b>E</b>  1pcs		
--	---	---	--	--	--	--

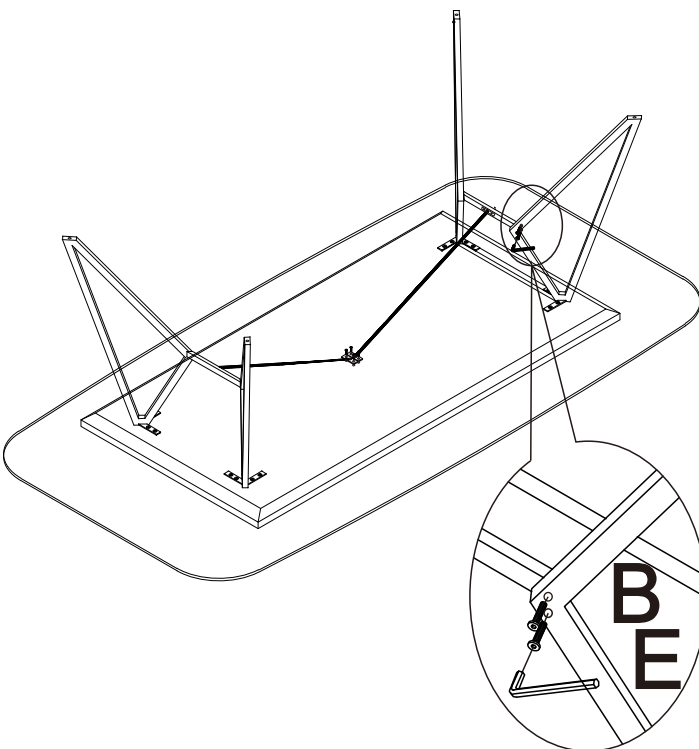
## STEP 1.



## STEP 2.



## STEP 3.



## STEP 4.

