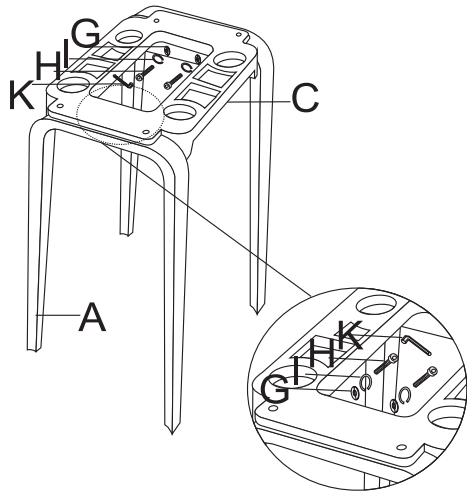
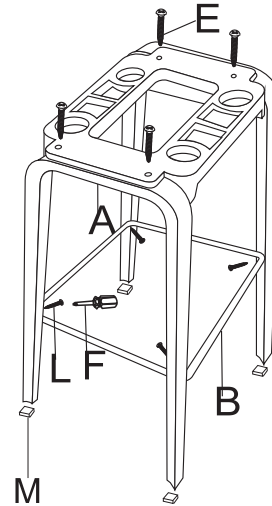


①

Loosely Connect the plastic brackets and wood legs. Do not tighten screws until step # 3

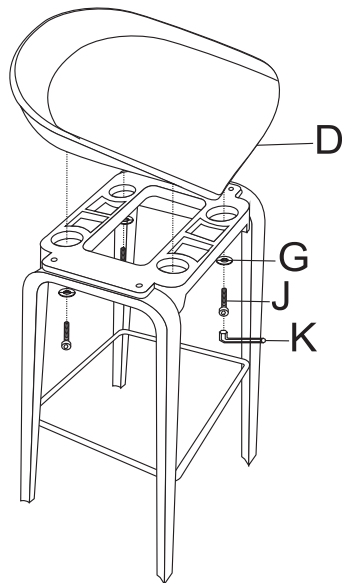


②



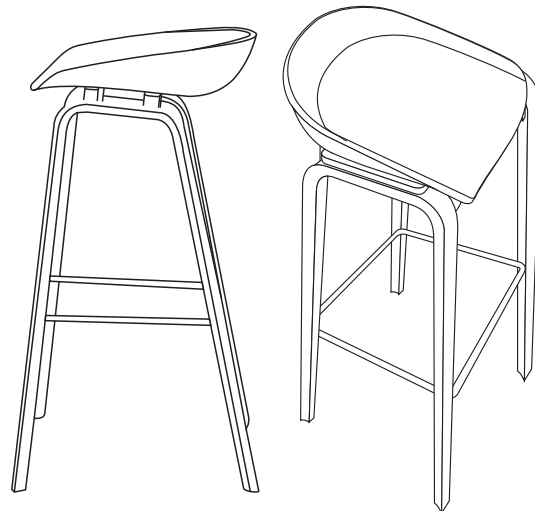
③

Place the brackets in the upright position and hand tighten screws from step # ①. And then connect the seat to the brackets.



④

Make sure all screws tightened before use



A	B	C	D	E	F	G
2	1	1	1	4	1	8
H	I	J	K	L	M	
4	4	4	1	4	4	