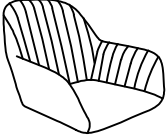

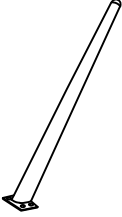
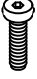

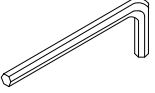
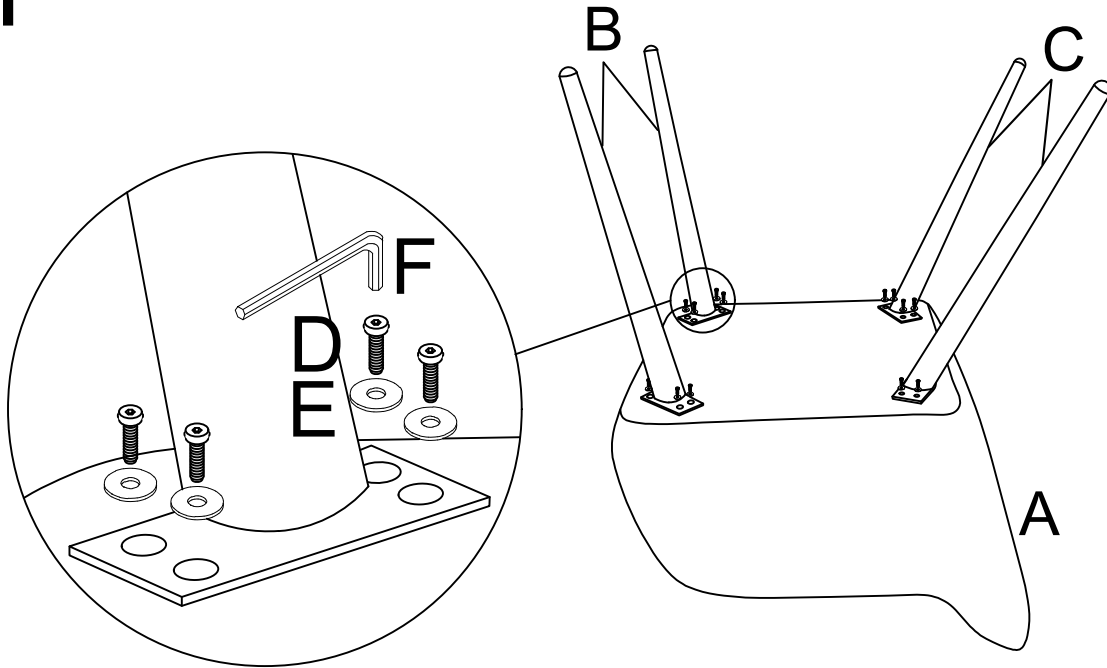
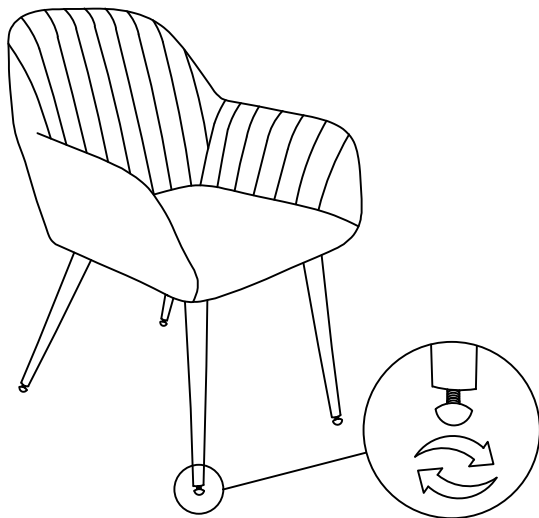


AX1	BX2	CX2	DX16	EX16	FX1
					

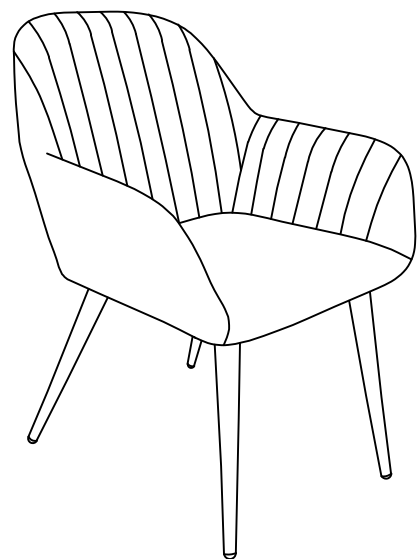
1



2



3



Adjusting the diagonal foot pad to avoid unstable