


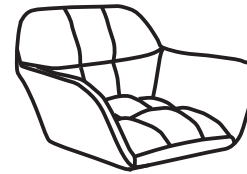


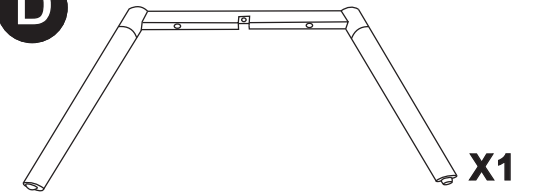
ASSEMBLY INSTRUCTION

A		M6x25mm	1pc
B		M6x48mm	4pcs
F		5mm	1pc

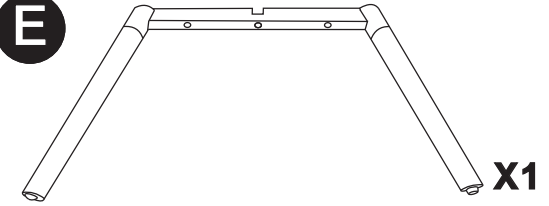
C



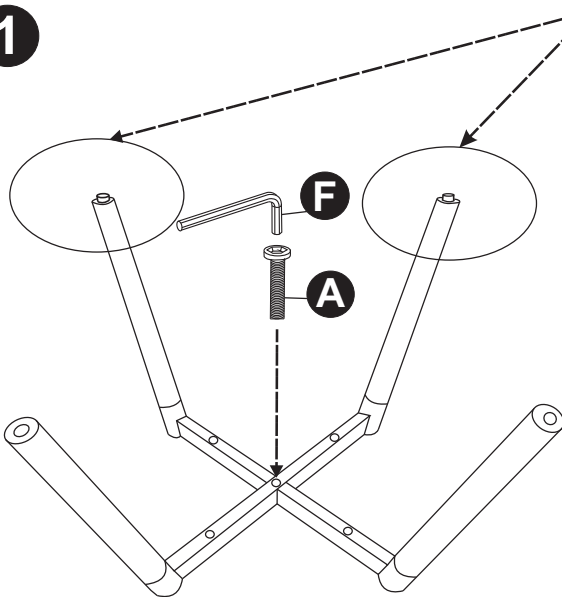
D



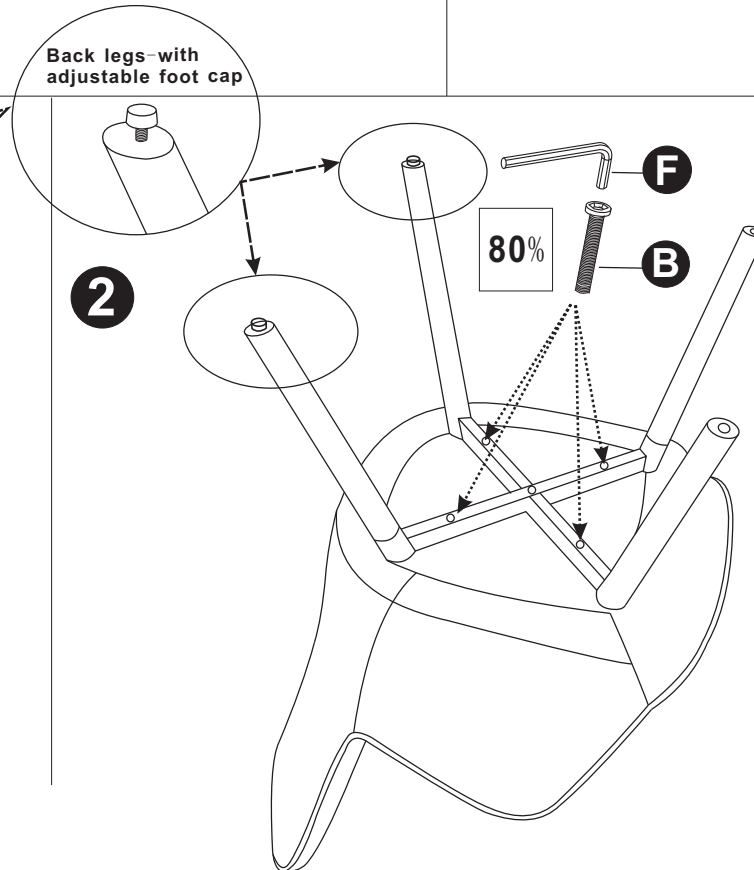
E



1



2



3



Pls do NOT over-tighten all screws before adjusting balance of the whole chair

Tight all screws to 100%